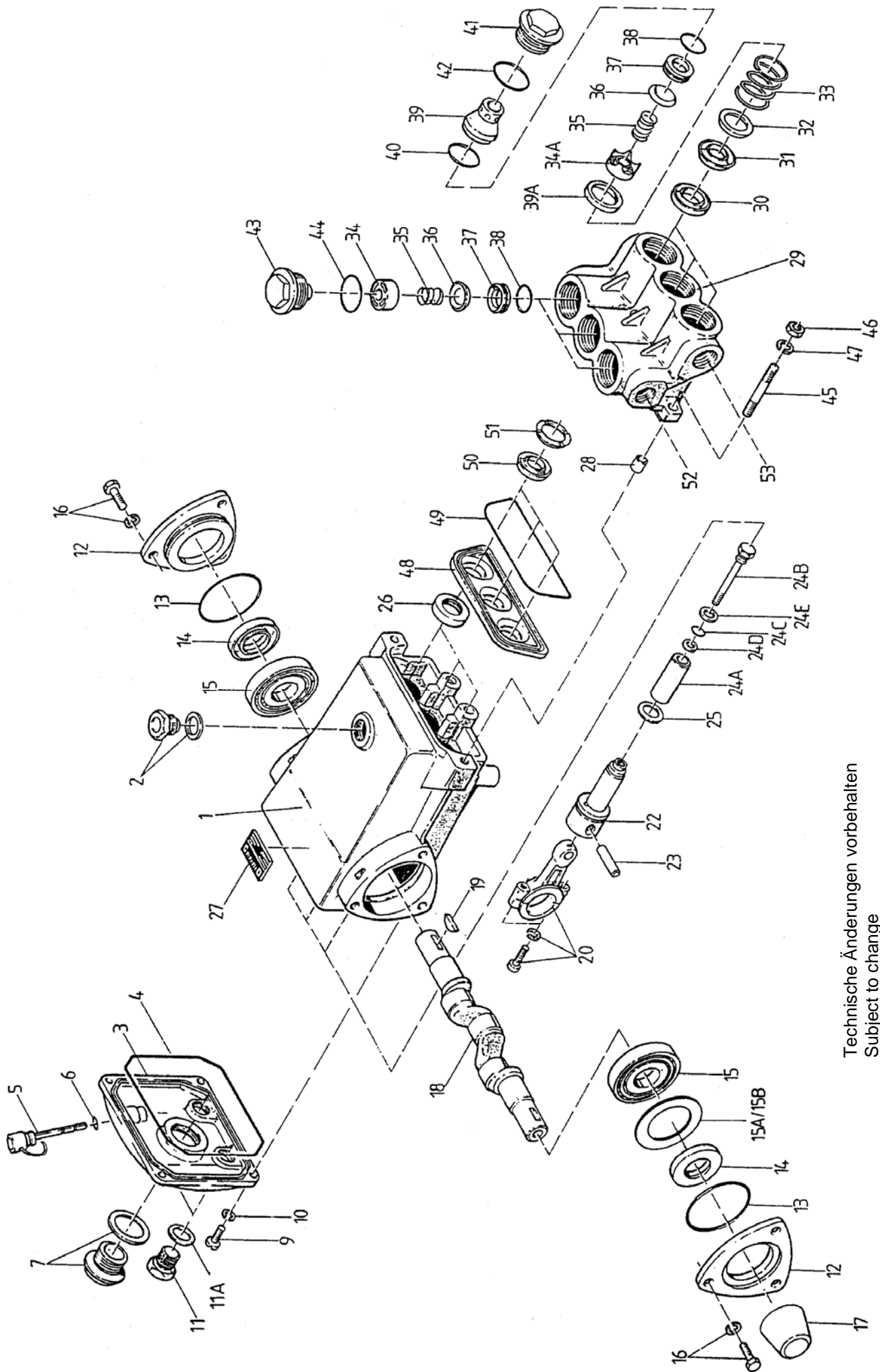


Lfd. Nr. Item No.	Stückzahl No. Off	Best.-Nr. Code No.	Benennung	Description
1	1	01.0255	Antriebsgehäuse	Crankcase
2	1	00.2431	Olauffüllstopfen kpl.	Oil Filler Plug Assy
3	1	03.0162	Getriebedeckel	Crankcase Cover
4	1	06.0286	O-Ring zu 3	O-Ring for 3
5	1	00.0564	Olmeßstab kpl.	Oil Dipstick Assy
6	1	06.0053	O-Ring zu 5	O-Ring for 5
7	1	00.2416	Olsgauglas	Oil Sight Glass
9	4	21.0026	Zylinderschraube	Cylinder Screw
10	4	07.2994	Federring	Spring Ring
11	2	07.0705	Stopfen G1/2	Plug G1/2
11A	2	06.0282	Dichtung	Seal
12	2	03.0163	Lagerdeckel	Bearing Cover
13	2	06.0288	O-Ring	O-Ring
14	2	06.0287	Radialwellendichtring	Radial Shaft Seal
15	2	05.0100	Zylinderrollenlager	Roller Bearing
15A	1	07.1961	Paßscheibe	Fitting Disc
15B	1	07.0859	Paßscheibe	Fitting Disc
16	6	21.0034	Sechskantschraube	Hexagon Screw
17	1	07.4600	Wellenschutz	Shaft Protector
18	1	11.0258	Kurbelwelle	Crankshaft
19	1	07.0861	Scheibenfeder	Woodruff Key
20	3	00.3288	Gleitlagerpleuel kpl.	Connecting Rod Assy
22	3	00.0596	Kreuzkopf kpl.	Crosshead Assy
23	3	11.0259	Kreuzkopfbolzen	Crosshead Pin
24A	3	11.0269	Plungerrohr (P31/25)	Plunger Pipe (P31/25)
24A	3	11.0271	Plungerrohr (P30/36)	Plunger Pipe (P30/36)
24A	3	11.0272	Plungerrohr (P30/43)	Plunger Pipe (P30/43)
24B	3	21.0338	Spannschraube	Tension Screw
24C	3	06.0113	O-Ring	O-Ring
24D	3	06.0114	Stützring	Support Ring
24E	3	06.0275	Cu-Dichtring	Copper Ring
25	3	07.4354	Olabstreifer	Oil Scraper
26	3	06.0290	Radialwellendichtring	Radial Shaft Seal
28	2	07.0874	Zentrierhülse	Seal Retainer
29	1	01.0272	Ventilgehäuse (P30/36, P30/43)	Valve Casing (P30/36, P30/43)
29	1	01.0424	Ventilgehäuse (P31/25)	Valve Casing (P31/25)
30	3	07.0921	Druckring (P31/25)	Pressure Ring (P31/25)
30	3	07.0923	Druckring (P30/36)	Pressure Ring (P30/36)
30	3	07.0924	Druckring (P30/43)	Pressure Ring (P30/43)
•31	3	06.0295	Manschette (P31/25)	Sleeve (P31/25)
•31	3	06.0297	Manschette (P30/36)	Sleeve (P30/36)
+31	3	06.0298	Manschette (P30/43)	Sleeve (P30/43)
32	3	07.0927	Manschettensstützring (P31/25)	Sleeve Support Ring (P31/25)
32	3	07.0929	Manschettensstützring (P30/36)	Sleeve Support Ring (P30/36)
32	3	07.0930	Manschettensstützring (P30/43)	Sleeve Support Ring (P30/43)
33	3	07.0933	Druckfeder (P31/25)	Pressure Spring (P31/25)
33	3	07.0918	Druckfeder (P30/36, P30/43)	Pressure Spring (P30/36, P30/43)
••34	3	07.0956	Federspannschale Druck	Spring Tension Cap for Pressure
••34A	3	07.1990	Federspannschale Saug	Spring Tension Cap for Suction
••35	6	07.2147	Ventilfeder	Valve Spring
••36	6	07.0957	Ventilplatte	Valve Plate
••37	6	07.0292	Ventilsitz	Valve Seat
••38	6	06.0067	O-Ring	O-Ring
39	3	07.1444	Saugventilaufnahme (P31/25)	Suction Valve Adaptor (P31/25)
39	3	07.0915	Saugventilaufnahme (P30/36, P30/43)	Suction Valve Adaptor (P30/36, P30/43)
39A	3	07.0916	Distanzring	Spacer Ring
•o+40	3	06.0255	O-Ring	O-Ring
41	3	07.0912	Stopfen M36x1.5	Plug M36x1.5
•o+42	3	06.0285	O-Ring	O-Ring
43	3	07.2849	Stopfen G3/4 (P31/25)	Plug G3/4 (P31/25)
43	3	07.0814	Stopfen M30x1.5 (P30/36, P30/43)	Plug G3/4 (P30/36, P30/43)
o+44	3	06.0251	O-Ring (P30/36, P30/43)	O-Ring (P30/36, P30/43)
•44	3	06.0496	O-Ring (P31/25)	O-Ring (P31/25)
45	4	21.0074	Stiftschraube	Stud Bolt
46	4	07.0988	Sechskantmutter	Hexagon Nut
47	4	07.2707	Scheibe	Disc
48	1	01.0262	Zwischengehäuse (P31/25)	Intermediate Casing (P31/25)
48	1	01.0264	Zwischengehäuse (P30/36)	Intermediate Casing (P30/36)
48	1	01.0265	Zwischengehäuse (P30/43)	Intermediate Casing (P30/43)
•o+49	1	06.0304	O-Ring	O-Ring
•50	3	06.0112	Manschette (P31/25)	Sleeve (P31/25)
o50	3	06.0301	Manschette (P30/36)	Sleeve (P30/36)
+50	3	06.0298	Manschette (P30/43)	Sleeve (P30/43)
51	3	07.1432	Stützring (P31/25)	Support Ring (P31/25)
51	3	07.0959	Stützring (P30/36)	Support Ring (P30/36)
51	3	07.0960	Stützring (P30/43)	Support Ring (P30/43)
52	1	07.0705	Stopfen G1/2	Plug G1/2
53	1	07.1001	Stopfen G3/4	Plug G3/4
•	1	00.1982	Antrieb kpl. (P31/25)	Gear Assy (P31/25)
•	1	00.1984	Antrieb kpl. (P30/36)	Gear Assy (P30/36)
•	1	00.1985	Antrieb kpl. (P30/43)	Gear Assy (P30/43)
•	1	00.0794	Pumpenkopf kpl. (P31/25)	Pump Head Assy (P31/25)
•	1	00.0792	Pumpenkopf kpl. (P30/36)	Pump Head Assy (P30/36)
•	1	00.0793	Pumpenkopf kpl. (P30/43)	Pump Head Assy (P30/43)
•	1	14.0038	Rep. Satz Dichtungen (P31/25)	Seal Repair Kit (P31/25)
o	1	14.0040	Rep. Satz Dichtungen (P30/36)	Seal Repair Kit (P30/36)
+	1	14.0041	Rep. Satz Dichtungen (P30/43)	Seal Repair Kit (P30/43)
••	1	14.0037	Rep. Satz Ventile	Valve Repair Kit

Bei Bestellung von Ersatzteilen bitte Bestell-Nr., Pumpen-Nr. und -type angeben  
When ordering please state Code No., Pump Model and Pump Serial No.



Technische Änderungen vorbehalten  
 Subject to change

**P30 / P31**